



Bekafix®

Installation manual

EN

0. Contents

1. Components of the fencing systems

1. The posts
2. Fixators and tools
3. The Nylofor panels

2. Installation of the fencing systems

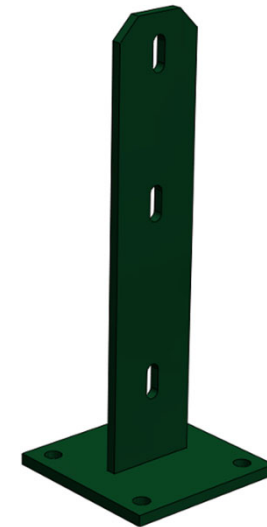
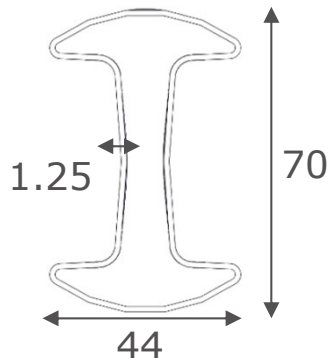
1. Foundations
2. Installation of posts & panels

3. Options

1. Components of the fencing systems

1. The posts

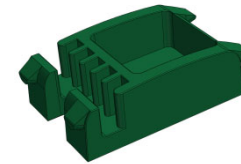
- Profile 70x44x1.25mm
- Posts are available for panels from 0.6 to 2.4 metres
- The posts are galvanised inside and outside and polyester coated
- This type of post can be installed with Nylofor 3D, 3D Pro, 3D Pro XL, 3D Super, 2D, 2D Super, F panels
- Each post has 3 holes for attachment of the clamps with security bolts. Across the whole length of the post there are perforations to click the clamps into
- Each post is fitted with a PA post cap. The cap has a hook to hang up the panel during installation
- A base plate can be screwed onto the post



1. Components of the fencing systems

2. Fixators and tools

- PA fixator to attach the panel to the post at the side. PA clamps are clicked into the perforations in the post. There are fixator compatible with Nylofor 3D/ 3D Pro/ 3D Pro XL



- Steel fixators to attach the panel to the post at the side. The clamps are clicked into the perforations in the post. For extra security they can be fixed with **M6x50** mushroom head square neck bolts, washer M6 and breaking-off nut M6 (stainless steel). At least 1 bolt connection per panel side is necessary. Two types are available, depending on the type of panel being installed

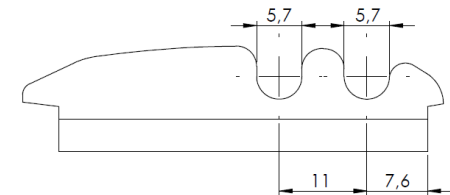
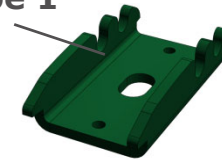


1. 3D / F / 2D / 3D Pro
2. 2D Super / 3D Super

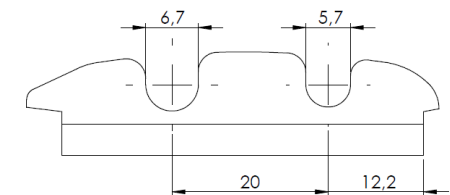
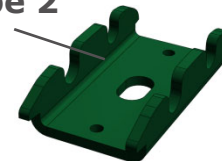
- To position the clamps a Bekafix tong is needed



Type 1









Type 2



1. Components of the fencing systems

3. The Nylofor panels

- Range:

Type	3D Pro	3D	2D	3D Super	F	2D Super
Height	1,03 – 2,43 m	1,03 – 2,43 m	1,03 – 2,03 m	1,63 – 2,43 m	0,63 – 2,03 m	1,03 – 2,43 m
Width	2,5 m	2,5 m	2,5 m	2,5 m	2,5 m	2,5 m
Wire dia	H: 5mm V: 5mm	H: 5mm V: 5mm	H: 2x6mm V: 5mm	H: 8mm V: 5mm	H: 15x6mm V: 5mm	H: 2x8mm V: 6mm
Mesh size	200 x 50 mm	200 x 50 mm	200 x 50 mm	200 x 50 mm	200 x 50 mm	200 x 50 mm
Nose type	1 wire	1 wire	none	1 wire	none	none
Coating	GALV+PVC 	GALV+PES 	GALV+PES 	GALV+PES 	GALV+PES 	GALV+PES 

Type	3D Pro	3D	2D	3D Super	F	2D Super
Square	X	X	X	X	X	X
Bekafix	X	X	X	X	X	X
Bekafix Super	X	X	X	X	X	X
Quixolid plus	X	X	X	X	X	X

2. Installation of the fencing systems

1. Foundations

- To obtain the best result, it is advisable to level the ground over the whole length of the fence
- For correct positioning, maintain the centre-centre distances. The distance is determined by the post system and the type of panel being installed

Centre-centre distance table

Post system	Panel width		
	2000 mm	2500 mm	3000 mm
Bekafix	2020 mm	2520 mm	3020 mm

- Align the fence line
- To determine the dimensions of the foundations it is advisable to consult a specialised engineer to evaluate wind load and solar conditions and any other factors requiring specialist opinion (concrete quality directive B30)
- In case of direct installation the post needs to be supported as long as necessary



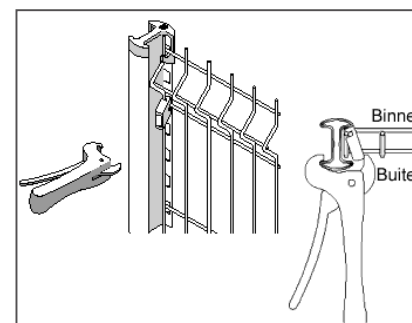
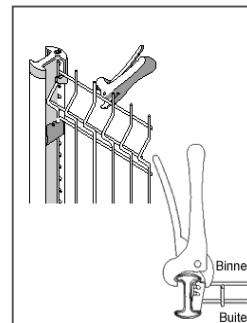
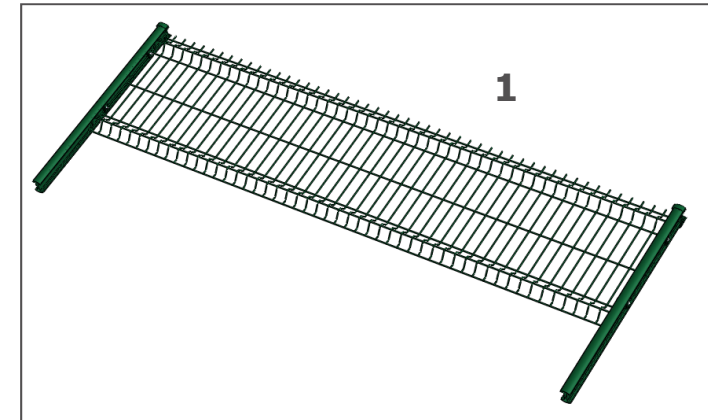
2. Installation of the fencing systems

2. Installation of posts & panels

- Installation principle: Bekafix posts are installed according to the 'post-panel-post' system

ATTACHMENT OF THE CLAMPS

- Start by attaching one panel to a post on each side
- Hook the panel into the hook caps to help hang it up
- To attach the panel the panel is lifted from the hook cap and a polyamide or metal fixator is attached below the upper nose, so that once attached the panel no longer rests on the hook cap. A second fixator is attached above the lower nose of the panel. In between, a few additional fixators are placed. The panel is attached using fixators and the Bekafix tong. (Fastening with the tong is done differently depending on the fixator type - see illustrations below). Position the fixators just below a horizontal wire whenever possible. The lower fixator should be located just above the lower horizontal wire.
- For extra security you can bolt the fixators onto the post. Attach at least 1 clamp per panel side

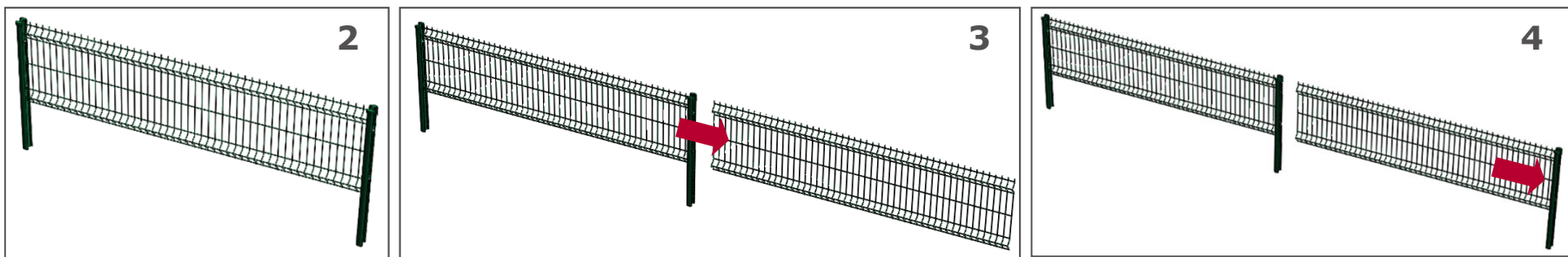


2. Installation of the fencing systems

2. Installation of posts & panels

PLACING THE POSTS IN CONCRETE

- The panel, mounted onto the 2 posts, is inserted into the foundation holes. The panel must be aligned with the fence line. The panel height must also be aligned
- Fill the foundation holes with moderately wet concrete (not liquid). The concrete must be pressed firmly. This will allow the panel to stand upright without support (+ align height)
- In order to build the rest of the fence the next panel must be hooked into the hook cap. The fastening is done in the same way as before
- The next post is placed in the foundation hole and hooked onto the panel



2. Installation of the fencing systems

2. Installation of posts & panels

NUMBER OF FIXATORS PER POST

Panel height	# fixators intermediate / corner post	# fixators end post
630mm	4	2
1030mm	4	2
1230mm	4	2
1430/1530mm	6	3
1630/1730mm	6	3
1830/1930mm	8	4
2030mm	8	4
2430mm	8	4

2. Installation of the fencing systems

2. Installation of posts & panels

MAKING CORNERS

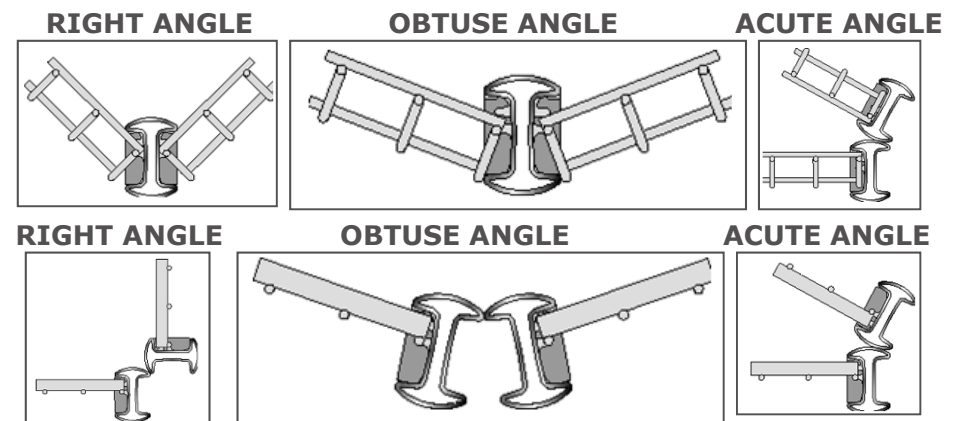
The corner posts are placed on the line with the bisector of the right or obtuse angle to be made. For an acute angle the post with the panel making the acute angle is placed into the same foundation hole as the last line post. The panels are attached to the corner post only by means of polyester coated metal clamps.

Nylofor 3D / 3D Pro

A right or obtuse angle can be made with one post. To make an acute angle 2 posts are needed.

Nylofor F

For all angles 2 posts are needed



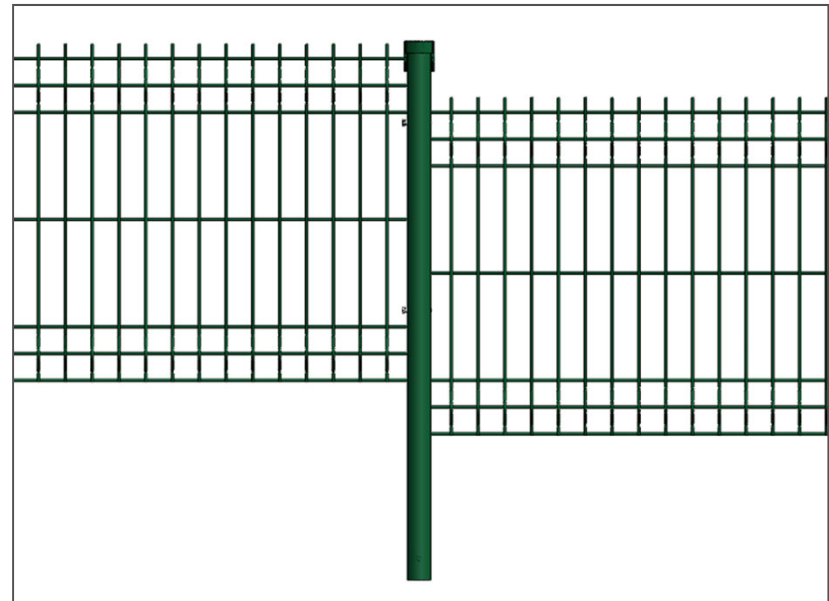
2. Installation of the fencing systems

2. Installation of posts & panels

INSTALLATION ON SLOPES

When building a fence on a slope using the Bekafix post it is best to start at the highest point of the site

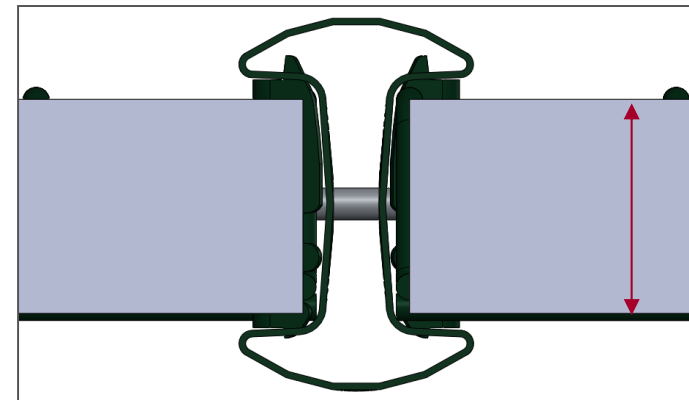
Where the site slopes, the next panel should not be hooked into the hook cap; the new panel should just be placed lower according to need



2. Installation of the fencing systems

2. Installation of posts & panels

INSTALLATION WITH CONCRETE SLABS



width 4cm -
height 30cm

3. Options

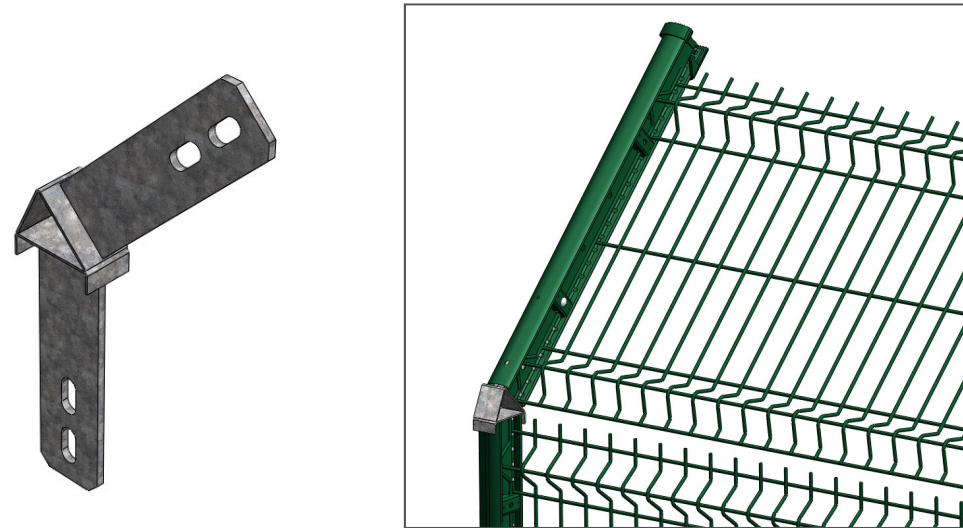
SLANTING SUPPORT

- For extra security
- To attach Concertina (single or double) or barb wire



CONNECTOR

- For extra security
 - To connect square post with slanting support
 - Maximum loading of this piece is 50 kg!
- * In case of special requirements, it's advised to contact a project engineer for strength calculations.



IB BETAFENCE