

# 180° WELD-ON 4D ADJUSTABLE HINGE

Item No. GBMU4D16-

4-way adjustable, hot-dip galvanized 180° hinge. Depth and spacing between gate and post are adjustable after installation. No more left or right swinging gates in stock. Only one gate wing should be produced for both left and right turning gates. The welding parts are available in black steel or zinc plated.



- 180° opening and closing angle
- Eyebolt M16: hot-dip galvanized
- Grip: hot-dip galvanized
- No more left or right swinging gates in stock
- 20 mm adjustability in height
- Only the grip is available in different RAL-colours
- Version Z: U-shaped ear plate and groove plate zinc-plated
- Packed per 50 pieces

## AVAILABLE IN FOLLOWING RAL-COLOURS



ALUM



RAL 6005



RAL 6009



RAL 7016

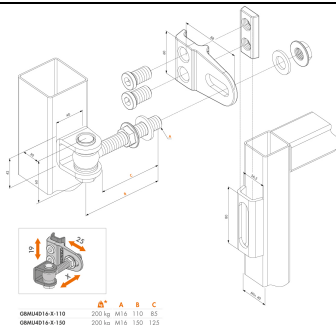


RAL 9005



RAL 9010

## FEATURES



STAY INFORMED