

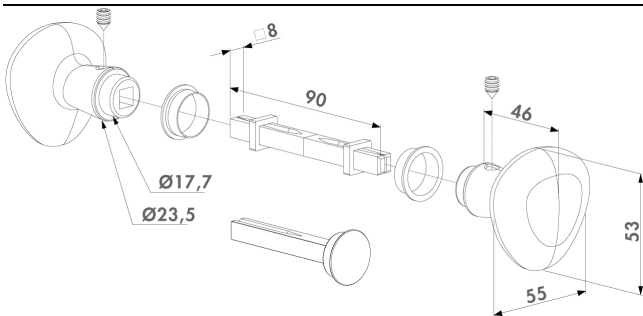
ALUMINIUM HANDLE BLOCKING SET

Item No. 3006KR



Aluminium round knob set. The kit allows following combinations: one side fixed with one side operational, both sides fixed or one side blinded. The set is advised in combination with all aluminium lock boxes when access control is needed and highly recommended with electric strikes.

- The kit permits the following combinations:
- 1 side fixed - 1 side movable or 1 side blinded
- 2 sides fixed
- 2 sides movable
- Highly recommended with Locinox electric keeps



STAY INFORMED