

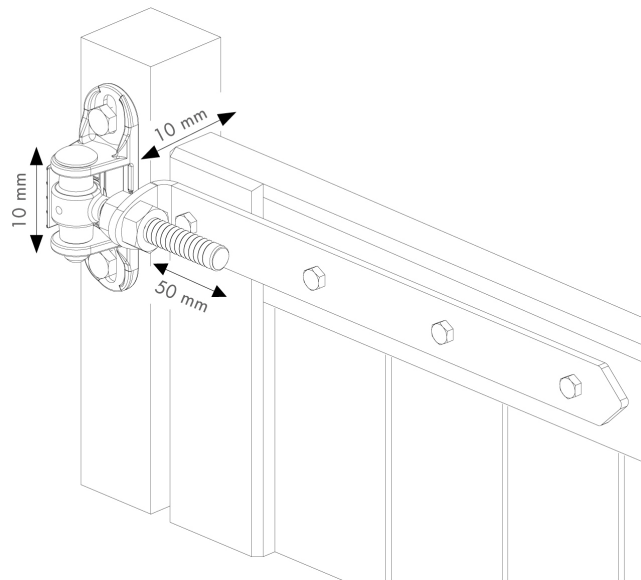
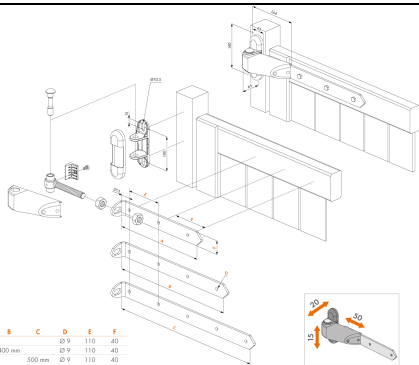
VANDAL-PROOF 4D-HINGE FOR WOODEN GATES

Item No. 4DW-



Aesthetic, vandal proof hinge for wooden gates. The stainless steel hinge can be adjusted in 4 dimensions. Height, depth, left / right alignment and rotational direction can be adjusted. Adjustments can be made after installing the hinges. This way your gate is always perfectly aligned.

- 180° hinge for wooden gates
- Adjustable in 4 dimensions: height, depth, left / right alignment and rotational direction
- ± 50 mm longitudinal adjustability
- 20 mm depth adjustability (14 mm outside and 6 mm inside of fixed pole)
- Vandal-proof
- Available with 300, 400 or 500 mm stainless steel hinge arm
- Perfect in combination with the H-Wood lock and SHKW keep



STAY INFORMED