

SURFACE MOUNTED GATE LOCK

Item No. LAKQ4040U2LZILVVSZM



- ISO 9227 KTL / E-coated lock box withstands 1000 hours of salt spray test
- Easy left or right changing of the self-latching daybolt
- 23 mm throw of the dead bolt, in 1 turn of the key
- Key-operated self-latching bolt
- 4-hole fixing with two hexagon socket head screws
- 60 mm center distance of the bolts
- Continuous adjustment of the daybolt up to 20 mm without dismounting the lock box
- Stainless steel mechanism

AVAILABLE IN FOLLOWING RAL-COLOURS



ZILV



RAL 6005



RAL 6009



RAL 7016



RAL 9005

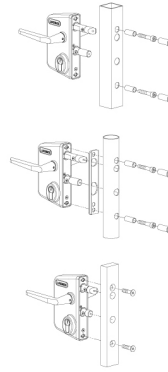
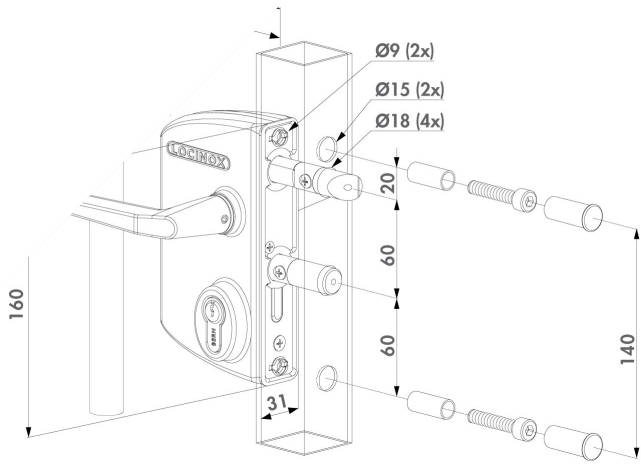


RAL 9010

FEATURES



STAY INFORMED



STAY INFORMED