

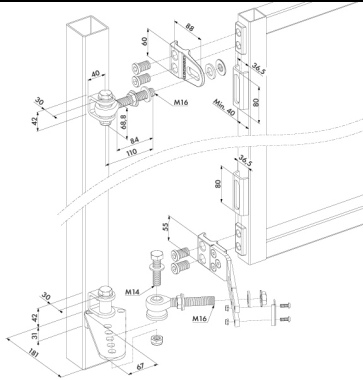
180° HINGE SET FOR ASCENDING SLOPES

Item No. EXCENTRO-



This hinge is the perfect solution for sloped driveways. The hinge opens in an upward movement inwards, allowing a perfect entry and exit on even the steepest slopes (from 2% up to 35%). Use with the Rhino hydraulic gate closer is highly recommended for a controlled closing. Modular for gates with a Locinox GBMU4D-M16 preparation.

- Hot-dip galvanized hinge with stainless steel components
- 180° opening and closing angle
- Recommended with Rhino hydraulic gate closer for a controlled closing
- Adjustable for slopes from 2 up to 35% (depending on distance between hinges)
- For left & right turning gates
- Compatible with KLAUW gate claw and 1001U U-shaped ear plate



STAY INFORMED