

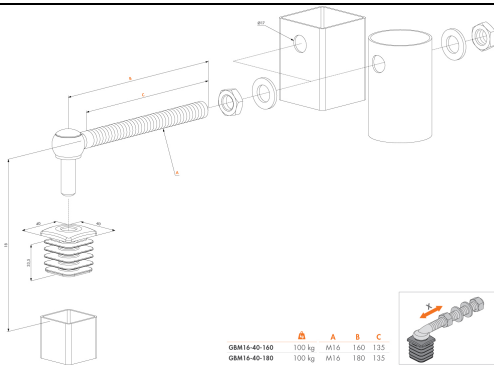
# HINGE SET WITH POLYAMIDE PLUGS FOR GARDEN GATES

Item No. GBM16-



Hot-dip galvanized hinge set. The set consist of 2 threaded M16 hinge axles with polyamide hinge plugs. The economical quality solution for all your garden/walk gate projects.

- With plastic hinge plug 40x40 mm
- Hinge axle M16 in hot-dip galvanized steel
- Length of the threaded axle: 160 mm or 180 mm
- Fixing: slide in plug



STAY INFORMED