

# COMPACT HINGE AND GATE CLOSER IN ONE

Item No. TIGER-

180° self-closing hydraulic hinge with precise adjustments on speed and final snap. The aluminium powder coated housing and unique high-tech components allow the Tiger to function perfectly in any weather situation. We highly recommend the Tigerdrill for an even more efficient installation. The Puma hinge is included.



- Automatic 180° closure with adjustable closing speed and final snap
- Aesthetic design
- Powder coated aluminium housing
- Closing speed unaffected by humidity and temperature changes
- For left and right turning gates
- Fast and easy fixing with Quick-Fix
- 15 mm horizontal adjustability
- 20 mm vertical adjustability
- Easy to open: Max. 14 Nm

---

## AVAILABLE IN FOLLOWING RAL-COLOURS



ZILV

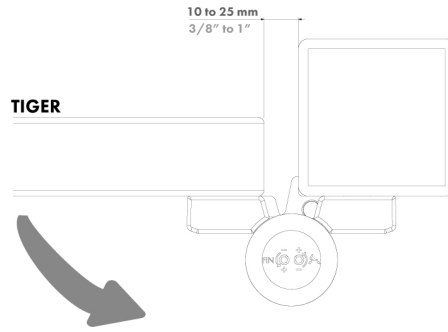
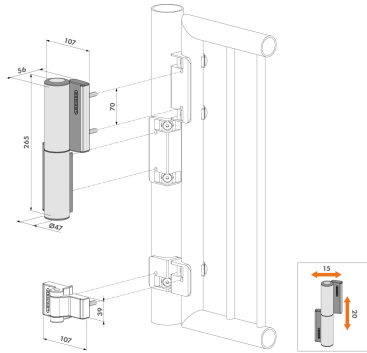
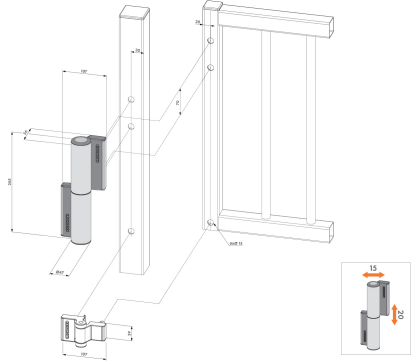


RAL 9005

---

## FEATURES

STAY INFORMED



STAY INFORMED