

COMPACT AND POLYVALENT GATE CLOSER, FITS EVERY GATE SITUATION

Item No. LION-



The attractive and compact Lion gate closer is unique in its kind. This hydraulic all-rounder is fit for every possible gate situation. Moreover, both 90° and 180° railsets are included in the package, allowing for more flexibility on site. The anodized aluminium housing combines a handsome look with a durable and spotless functioning for many years. Choose the Lion-VTC Drill for an even faster installation.

- Automatic 180° - closing with adjustable closing speed and final snap
- Railset included for 90° and 180° situations
- Scratch resistant and corrosion free anodized aluminium housing
- Compact & aesthetic design
- Closing speed unaffected by temperature changes
- For left & right turning gates
- Integrated pre-tension for extremely smooth installation
- Easy & fast mounting: Quick-Fix
- Easy to open: Max. 16 Nm

AVAILABLE IN FOLLOWING RAL-COLOURS

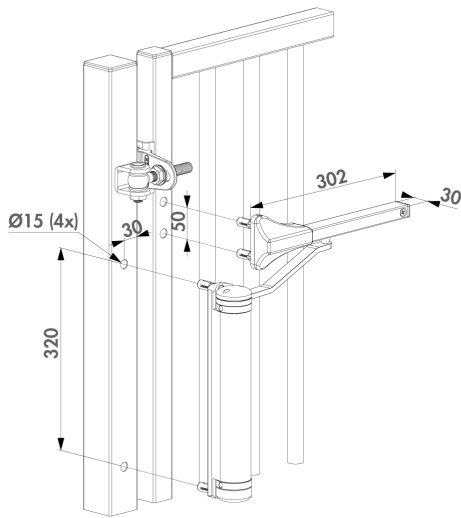
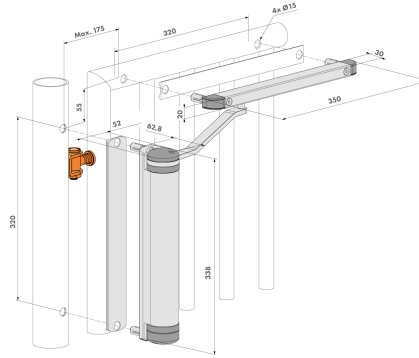
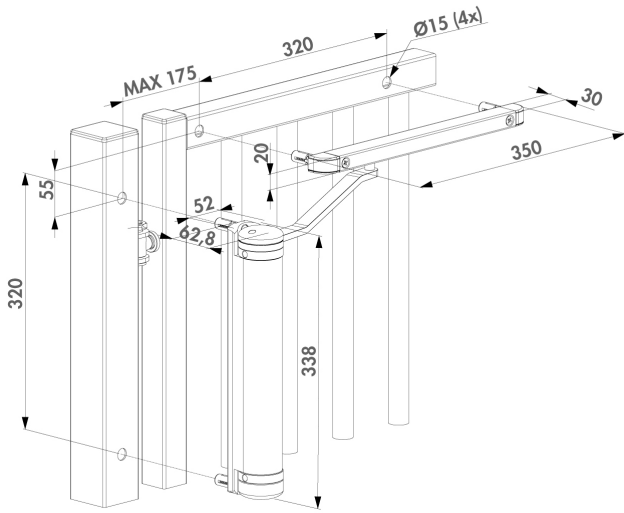


ZILV



RAL 9005

STAY INFORMED
RES



STAY INFORMED