

SMALL SURFACE MOUNTED ORNAMENTAL GATE LOCK

Item No. LAKYF2



Quality ornamental lock with aluminium housing and stainless steel mechanism. We advise this lock as a standard for all your ornamental gates. The 10 mm continuous adjustability of the bolts allows a perfect latching / locking of the mechanism. A solid stainless steel deadbolt with a 23 mm throw guarantees a secure locking. Standard supplied with zamac ornamental handle pair. For a fast and highly precise installation, we recommend using the Drill-Fix drilling jig.

- ISO 9227 KTL / E-coated lock box withstands 1000 hours of salt spray test
- Easy left or right changing of the self-latching daybolt
- 23 mm throw of the dead bolt, in 1 turn of the key
- Continuous adjustment of 10 mm for the bolts without removing the lock
- Key-operated self-latching bolt
- 4-hole fixing with two hexagon socket head screws
- 60 mm center distance of the bolts

AVAILABLE IN FOLLOWING RAL-COLOURS



ZILV



RAL 6005



RAL 6009



RAL 7016



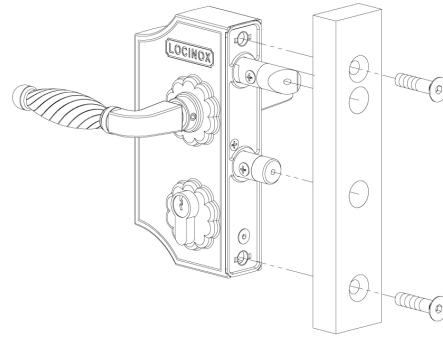
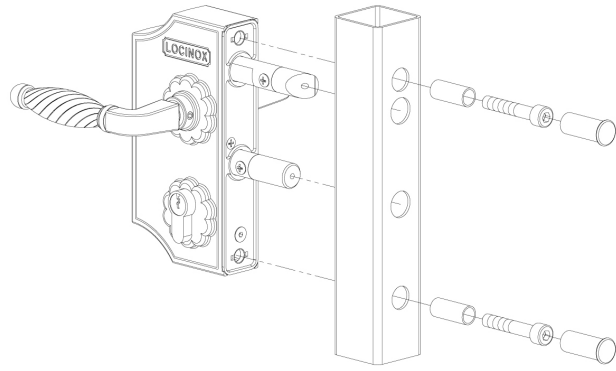
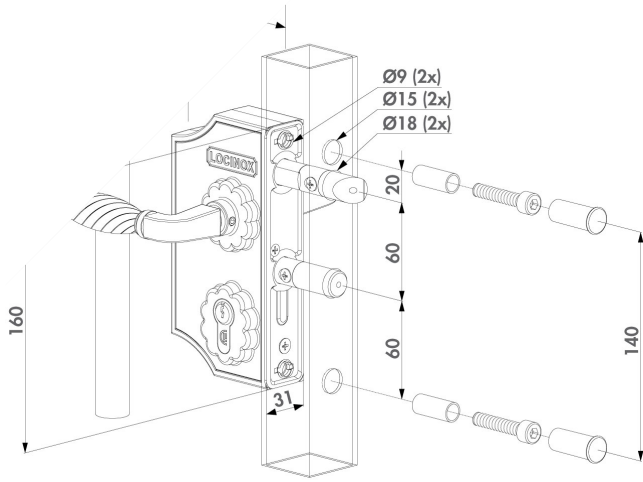
RAL 9005



RAL 9010

FEATURES





STAY INFORMED