

# SPRING HINGE FOR GARDEN GATES

Item No. SWING40-

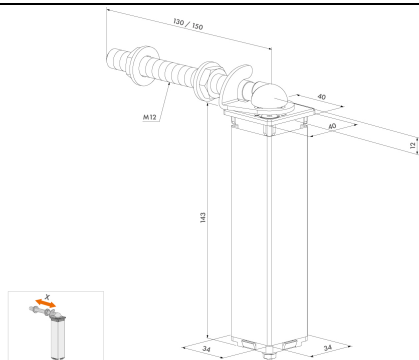


Spring hinges for garden gates and pedestrian gates. The set can easily be fitted inside a 40x40 mm tubing. The force can be adjusted by means of an Allen key.

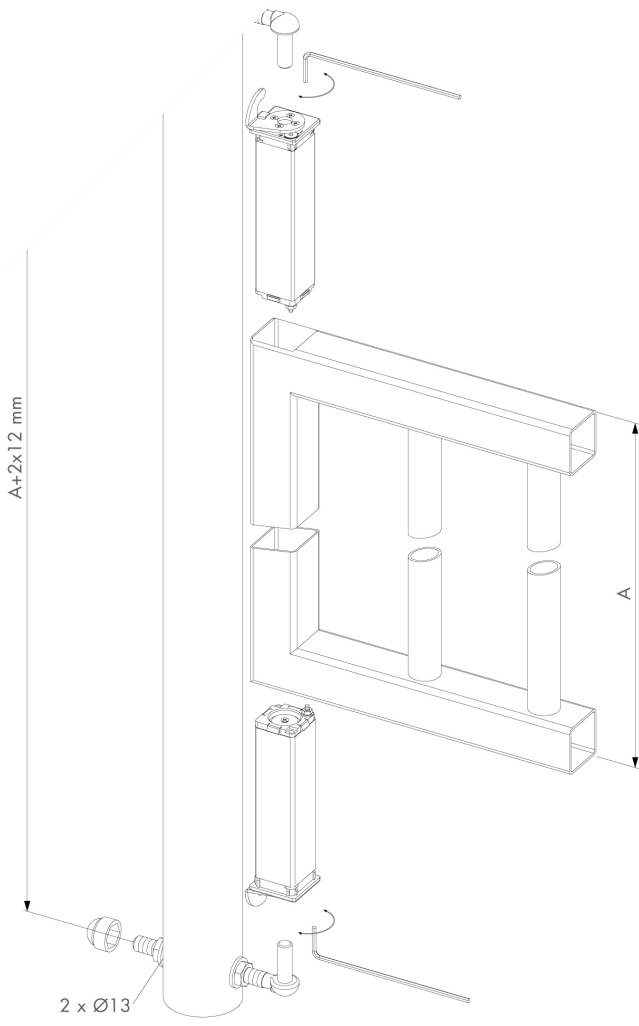
- One for the top, one for the bottom
- Fixing: slides in gate frame
- Only for gate frames 40x40/2 mm
- Reversible: left/right
- Adjustable spring tension: M3 allen key
- Maximum width of the gate: 1300 mm
- Maximum weight: 75 kg

---

## FEATURES



STAY INFORMED



STAY INFORMED