

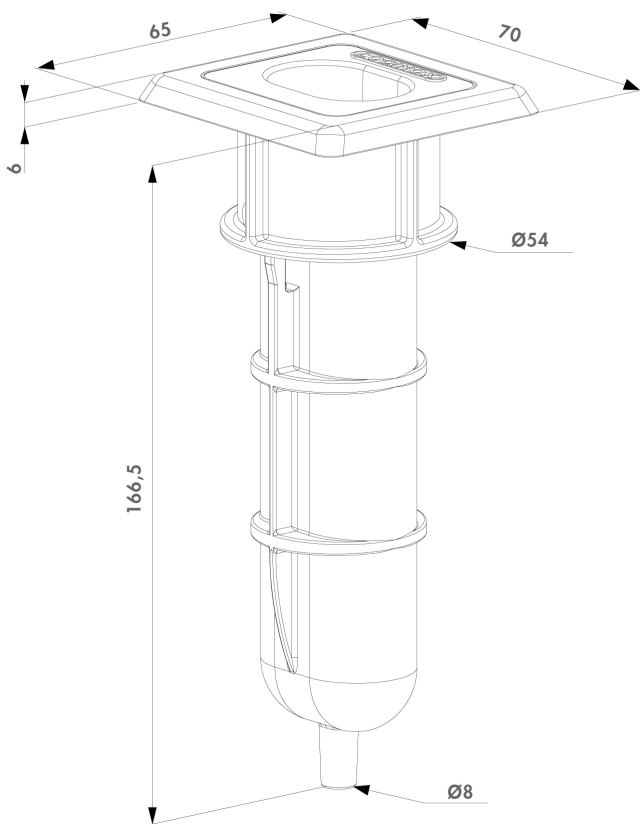
ECONOMIC GROUND CATCHER

Item No. EGS

Economic ground catcher for drop bolts with maximum axle of $\text{Ø}20$ mm. With draining hole.



- Simple and economic ground stop to put into concrete
- Without stop plate
- Hot-dip galvanized base-plate with polypropylene catcher
- For drop bolts with a maximum axle of $\text{Ø}20$ mm



STAY INFORMED