

SURFACE MOUNTED ELECTRIC GATE LOCK WITH FAIL OPEN FUNCTIONALITY

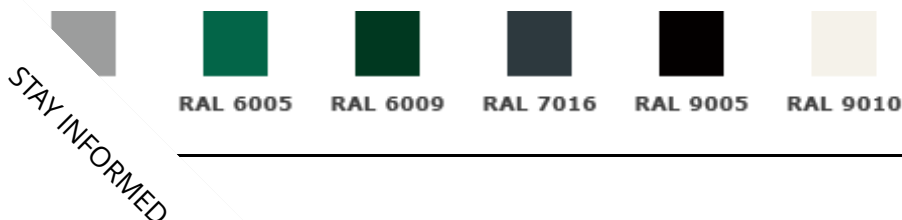
Item No. LEKQU4



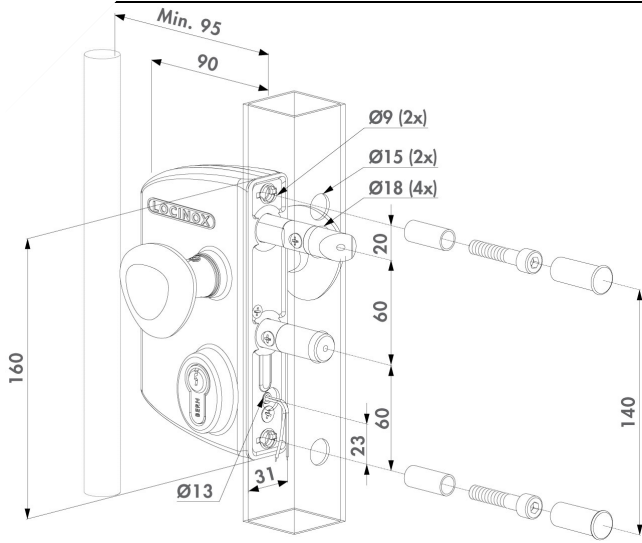
High quality electrical lock with aluminium housing and stainless steel mechanism. The handles are blocked when the lock is powered. The 20 mm continuous adjustability of the bolts allows a perfect latching / locking of the mechanism. A solid stainless steel deadbolt with a 23 mm throw guarantees a secure locking. For a fast and highly precise installation, we recommend using the Drill-Fix drilling jig.

- ISO 9227 KTL / E-coated lock box withstands 1000 hours of salt spray test
- Fail Open: Lock is open when power is interrupted
- Blocking or releasing of the handles
- Easy left or right changing of the self-latching daybolt
- 23 mm throw of the dead bolt, in 1 turn of the key
- Key-operated self-latching bolt
- Continuous adjustment of the daybolt up to 20 mm without dismounting the lock box
- 4-hole fixing with two hexagon socket head screws
- Interchangeable with all Locinox locks
- Voltage: 12V AC/DC
- Current: 0,3A

AVAILABLE IN FOLLOWING RAL-COLOURS



STAY INFORMED



STAY INFORMED