

# SURFACE MOUNTED SLIDING GATE LOCK

Item No. LSKZU2



First-grade lock for manual sliding gates with aluminium housing and stainless steel mechanism. The unique Twistfinger and conforming self-correcting keep guarantees a perfect closing of your sliding gate. For a fast and highly precise installation, we recommend using the Drill-Fix drilling jig.

- ISO 9227 KTL / E-coated lock box withstands 1000 hours of salt spray test
- Mechanism and Twistfinger in stainless steel
- Adjustable for horizontal or vertical mounting of the keep (catch bolt)
- Fixing with 2 hexagon socket head screws
- Innovative closing system
- Stainless steel collar around the Twistfinger prevents cutting through the Twistfinger (catchbolt)
- Standard with reinforced aluminium handle pair
- 3006S: Square 10 mm follower

## AVAILABLE IN FOLLOWING RAL-COLOURS



ZILV



RAL 6005



RAL 6009



RAL 7016



RAL 9005

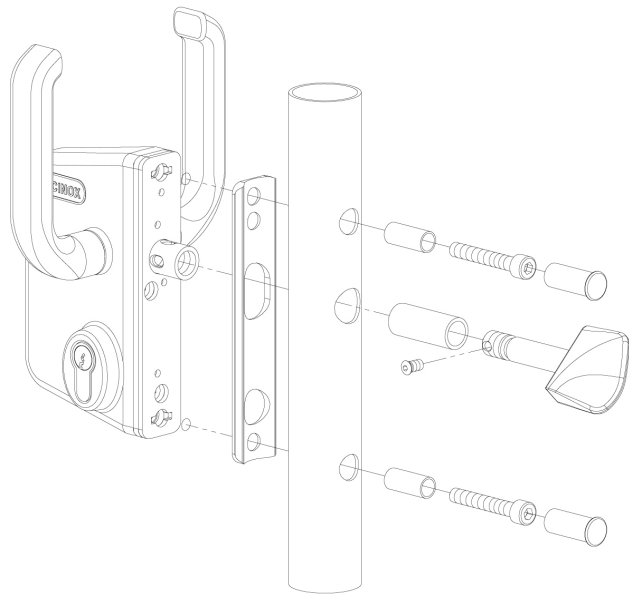
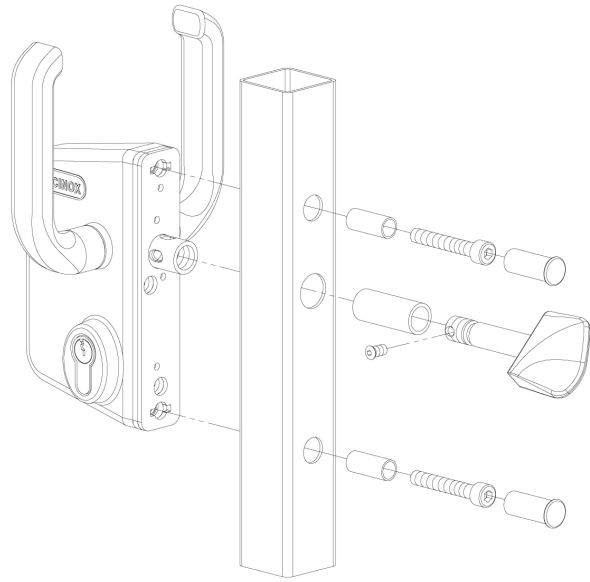
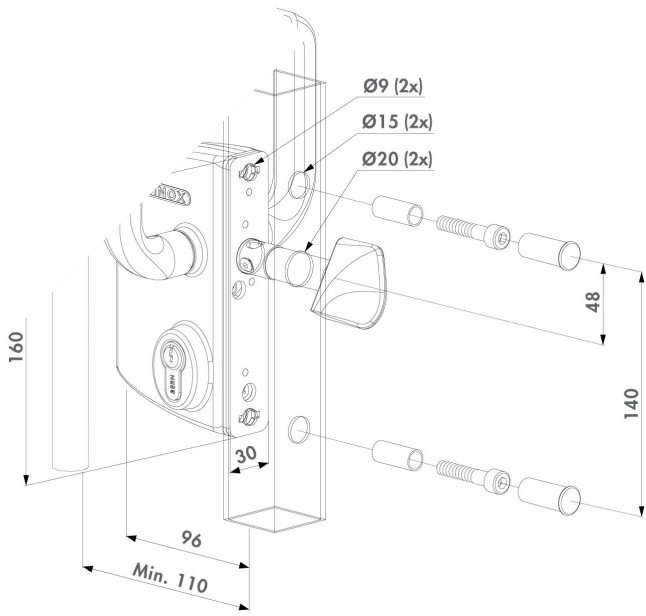


RAL 9010

## FEATURES



STAY INFORMED



STAY INFORMED