

LOCKABLE DROP BOLT

Item No. KEYDROP

Lockable drop bolt interchangeable with the standard VSA-VSF drop bolts. This product enables you to lock the drop bolt in open or closed position.



- Throw: 140 mm
- Lockable drop bolt with cylinder
- Same drilling pattern as VSF and VSA
- Possibility to work with same key as gate lock
- Height adjustability of the drop bolt: 100 mm
- Height adjustability in 3 positions: 50 mm / position
- The gate can be locked in open or closed position
- For gate profiles 40x40 mm or more

AVAILABLE IN FOLLOWING RAL-COLOURS



ZILV



RAL 6005



RAL 7016

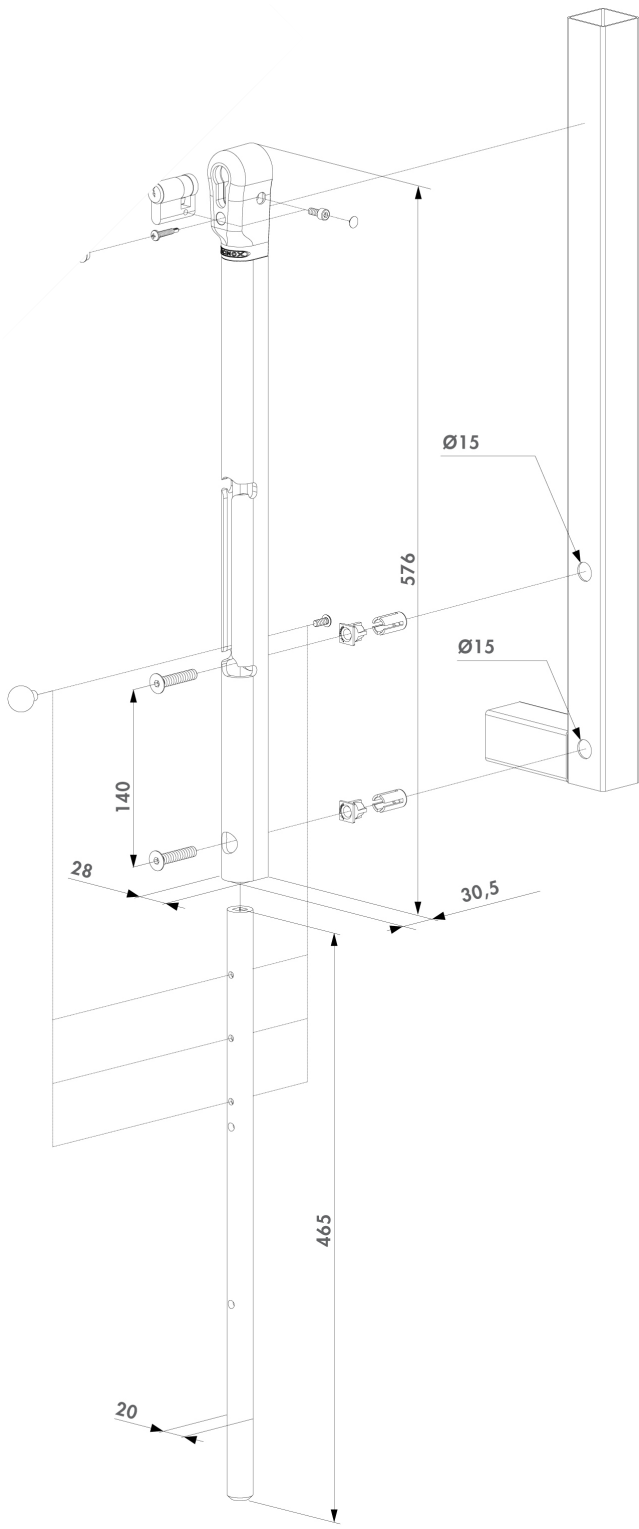


RAL 9005

FEATURES



STAY INFORMED



STAY INFORMED