

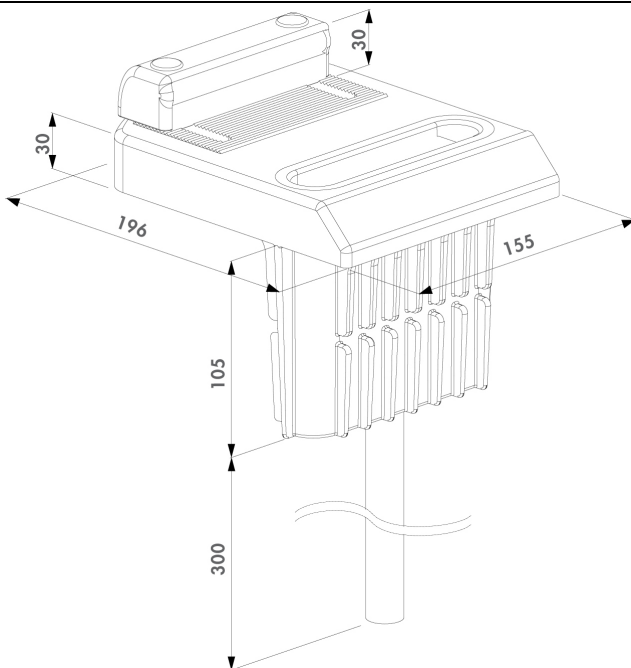
OFF-CENTERED GROUND STOP

Item No. OGS

Strong ground stop for double wings. The OGS has a removable recipient for easy and fast cleaning of the ground stop.



- Glass fiber reinforced polyethylene
- Suitable for surface mounted drop bolts (VSF - VSA - Electradrop - Keydrop)
- Adjustable stop plate for 40 mm till 60 mm gate frames
- Removable polyamide cleaning recipient
- With water evacuation hose



STAY INFORMED