



Insert lock with 20 mm backset for profiles of 40 mm or more

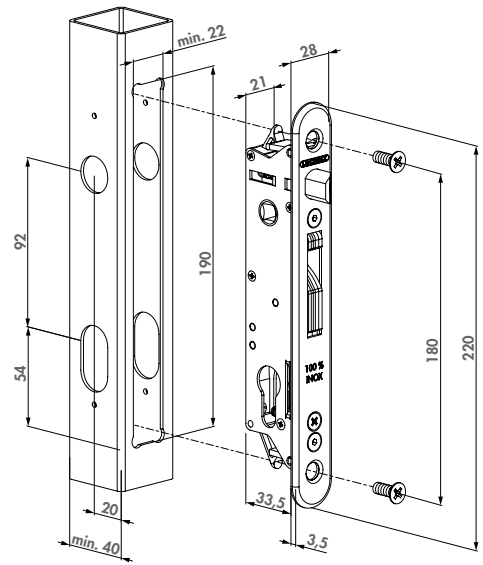
FORTYLOCK (Patented)

Insert lock with 100% stainless steel mechanism. The stainless steel adjustable self-latching bolt and hook combined with the right keep guarantee a strong and solid closed gate where the gate wings can not be pulled apart or forced open. The lock can be installed on metal, aluminium and PVC gates. Thanks to the patented "Click-It" system, installing the lock can be done in a matter of seconds.



Specifications

- ✓ Lock mechanism with cover plate against dirt penetration
- ✓ Patented "Click-It" system makes thread tapping unnecessary
- ✓ Continuous adjustment of the daybolt up to 10 mm without dismantling the lock box
- ✓ Key-operated self-latching bolt
- ✓ Mechanism, hook, frontplate, latchbolt: stainless steel
- ✓ Easy left or right changing of the self-latching daybolt
- ✓ Throw of the hook: 21 mm
- ✓ Center-distance cylinder <=> handles = 92 mm
- ✓ Optional: Cover shield for handle & cylinder holes in aluminium, polyamide or stainless steel
- ✓ Handles to be ordered separately
- ✓ Compatible with all Europrofile cylinders



Recommended keeps



MODULEC-SF-
P. 31



SFKI
P. 101



SFKM
P. 101

Order code

Insert lock

FORTYLOCK For profiles of 40 mm

Fortysets

FORTYSET-40I-GP- FORTYLOCK + SFKI + 3020-HYB-STD + 3006G + 3012-54-STD-VSZ

FORTYSET-40I-MA- FORTYLOCK + SFKI + 3020-HYB-ALU + 3006M-H + 3012-54-STD-VSZ

FORTYSET-40P-GP- FORTYLOCK + SFKI + 3020-HYB-STD + 3006G + 3012-54-STD-VSZ



Optional cover shields



3020-HYB-A2
P. 85



3020-HYB-ALU
P. 85



3020-HYB-STD
P. 85

Recommended handles



3006M-H
P. 167



3006J-H
P. 167



3006I-H
P. 167



3006FIX
P. 161



NEW Insert lock with 30 mm backset for profiles of 50 mm or more

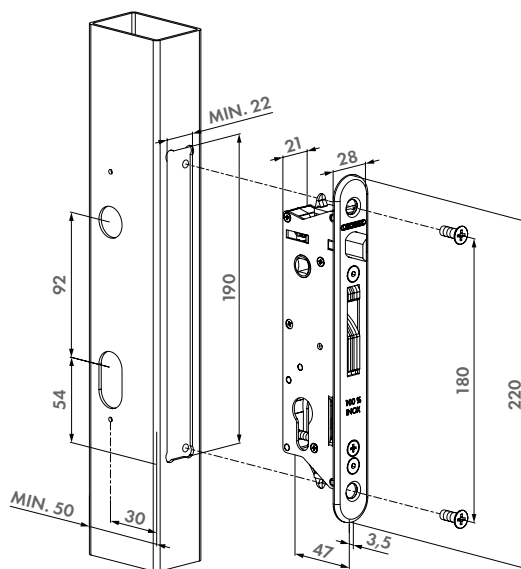
FIFTYLOCK (Patented)

Prime insert lock with 100% stainless steel mechanism. The stainless steel adjustable self-latching bolt and hook combined with the correct keep guarantee a strong and solid closed gate where the gate wings can not be pulled apart or forced open. The lock can be installed on metal, aluminium and PVC gates. Thanks to the patented "Click-It" system the lock is mounted in seconds.



Specifications

- ✔ Stainless steel lock mechanism with cover plate against dirt penetration
- ✔ Mechanism, hook, frontplate, latchbolt: stainless steel
- ✔ Backset 30 mm, for mounting in profiles of 50 mm depth or more
- ✔ Continuous adjustment of the daybolt up to 10 mm without dismantling the lock box
- ✔ Key-operated self-latching bolt
- ✔ Easy left or right changing of the self-latching daybolt
- ✔ Throw of the hook: 21 mm
- ✔ Center-distance cylinder \leftrightarrow handles = 92 mm
- ✔ Compatible with all Europrofile cylinders
- ✔ Handles to be ordered separately
- ✔ Optional: Cover shield for handle & cylinder holes in aluminium, polyamide or stainless steel



Recommended keeps



SFKB
P. 100



MODULEC-SF-
P. 31



SFKM
P. 101

Order code

FIFTYLOCK Insert lock with 30 mm backset for profiles of 50 mm or more



Optional cover shields



3020-HYB-A2
P. 85



3020-HYB-ALU
P. 85



3020-HYB-STD
P. 85

Recommended handles



3006M-H
P. 167



3006J-H
P. 167



3006I-H
P. 167



3006FIX
P. 161



NEW Insert lock with 40 mm backset for profiles of 60 mm or more

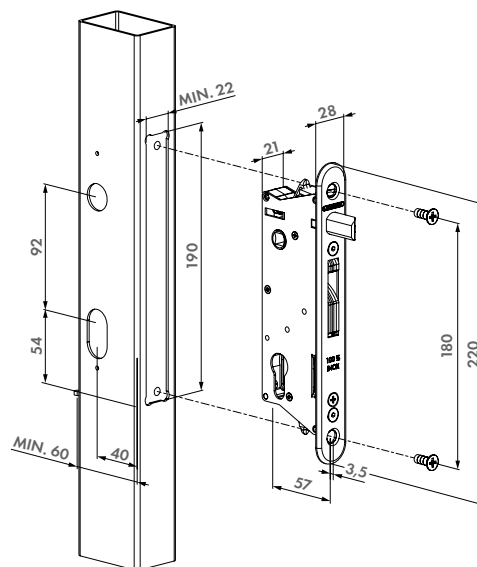
SIXTYLOCK (Patented)

Prime insert lock with 100% stainless steel mechanism. The stainless steel, adjustable self-latching bolt and hook combined with the right keep guarantee a strong and solid closed gate where the gate wings can not be pulled apart or forced open. The lock can be installed on metal, aluminium and PVC gates. Thanks to the patented "Click-It" system the lock is mounted in seconds.



Specifications

- ✓ Stainless steel lock mechanism with cover plate against dirt penetration
- ✓ Mechanism, hook, frontplate, latchbolt: stainless steel
- ✓ Backset 40 mm, for mounting in profiles of 60 mm of depth or more
- ✓ Continuous adjustment of the daybolt up to 10 mm without dismantling the lock box
- ✓ Key-operated self-latching bolt
- ✓ Easy left or right changing of the self-latching daybolt
- ✓ Throw of the hook: 21 mm
- ✓ Center-distance cylinder \Leftrightarrow handles = 92 mm
- ✓ Compatible with Europrofile cylinder
- ✓ Handles to be ordered separately
- ✓ Optional: Cover shield for handle & cylinder holes in aluminium, polyamide or stainless steel



Recommended keeps



SFKB
P. 100



INTRALEC-
P. 31



SFKM
P. 101

Order code

SIXTYLOCK Insert lock with 40 mm backset for profiles of 60 mm or more



Optional cover shields



3020-HYB-A2
P. 85



3020-HYB-ALU
P. 85



3020-HYB-STD
P. 85

Recommended handles



3006M-H
P. 167



3006I-H
P. 167



3006J-H
P. 167



3006FIX
P. 161