



Securifor[®] with Bekafix[®] Ultra posts

Installation manual

EN



Bekafix Ultra®



Securifor®
post systems

0. Contents

1. Components of the fencing systems

1. The posts
2. Fixators and tools
3. The U-Profile

2. Installation of the fencing systems

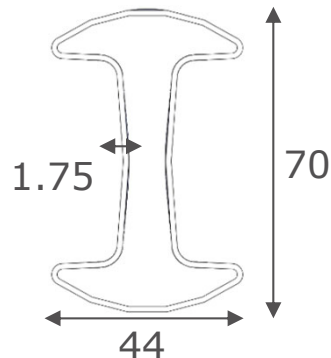
1. Foundations
2. Installation of posts & panels
3. Installation U-Profile
4. Optionally bottom fixations
5. Number of spider fixators per post
6. Making corners
7. Installation on slopes
8. Installation with concrete slabs

3. Options

1. Components of the fencing systems

1. The posts

- Profile 70x44x1.75mm
- Posts are available for panels from 2 to 4.0 metres
- Post lengths: 2475, 2575, 3175, 3775 and 4775mm
- The posts are galvanised inside and outside (Magnelis) and polyester coated
- This type of post can be installed with Securifor flat, Securifor 2D, Securifor 3D, Securifor 4D panels
- Each post has holes every 150 mm for attachment of the clamps with security bolts. Across the whole length of the post there are perforations to click the clamps into
- Each post is fitted with a PA post cap.
- A base plate can be screwed onto the post



1. Components of the fencing systems

2. Fixators and tools

- Spider fixators to attach the panel to the post at the side.



Securifor



Securifor 2D

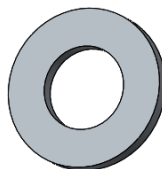


Securifor 3D & 4D

- They can be fixed with **M6x50** mushroom head square neck bolts (DIN603), washer M6 and self breaking-off nut M6, all in stainless steel.



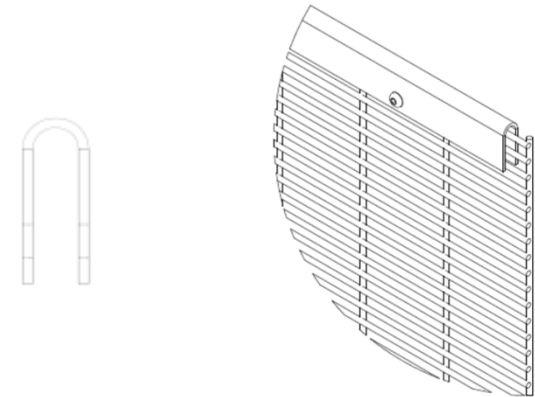
DIN603



1. Components of the fencing systems

3. The U-Profile

- Profile dimensions: 35 x 13 mm, plate thickness 2mm
- Length of U-profile is standard 2420mm



- U-profiles are used for the reinforcement of the upper side of the Securifor panels.
- The general rule is that flat Securifor & Securifor 3D panels should always be installed with U-profiles on top, regardless of the way of installation
- U-profiles are fixed with 3 sets of Hexagon Socket Button Head Screws M6x25 (ISO 7380), M6 washers and self-breaking nuts, all in stainless steel



ISO 7380

2. Installation of the fencing systems

1. Foundations

- To obtain the best result, it is advisable to level the ground over the whole length of the fence
- For correct positioning, maintain the centre-centre distances. The distance is determined by the post system and the type of panel being installed

Centre-centre distance table

Post system	Panel Type	
	SEC FLAT/2D/3D	SEC 4D
Bekafix Ultra	2538 mm (+/- 2)	2843 mm(+/- 2)

- Align the fence line
- To determine the dimensions of the foundations it is advisable to consult a specialised engineer to evaluate wind load and solar conditions and any other factors requiring specialist opinion (concrete quality directive B30)
- In case of direct installation the post needs to be supported as long as necessary

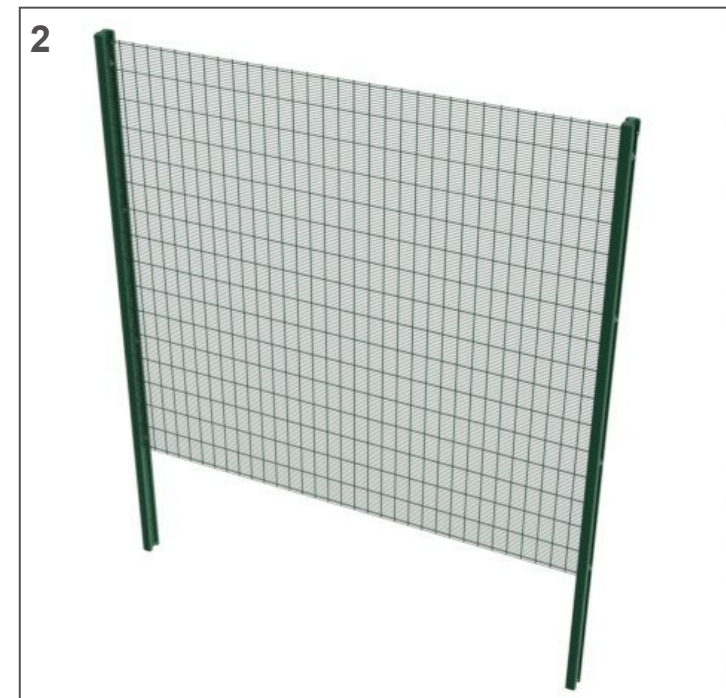
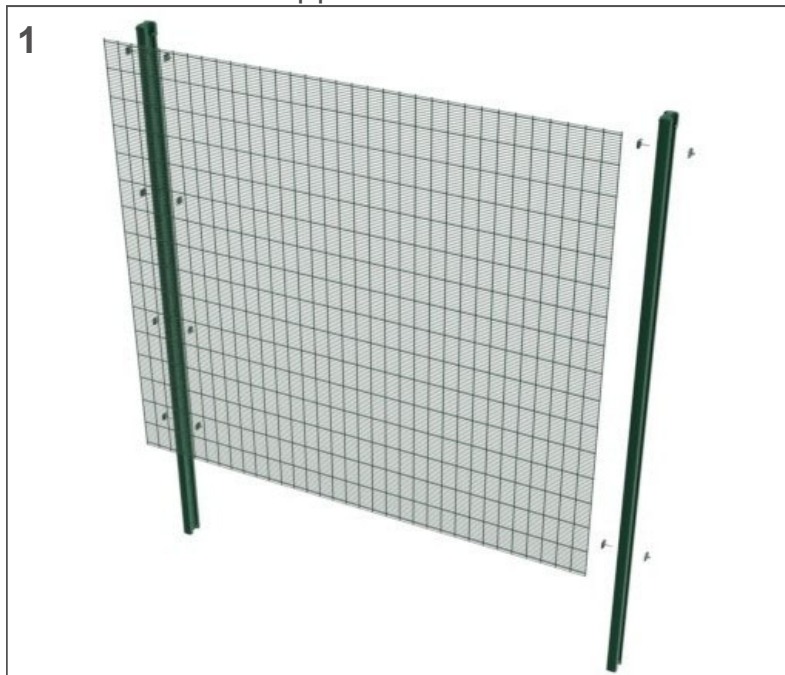


2. Installation of the fencing systems

2. Installation of posts & panels

Installation principle: Bekafix Ultra posts are installed according to the 'post-panel-post' system

- Start the installation with attaching the posts to both sides of the first panel
- Attach the spider fixators to the first post
- Temporarily attach two spider fixators to the second post (top and bottom) to keep the panel in position.
- Place the first 2 posts in the foundation holes and fill them with moderately wet concrete. The concrete is pressed firmly, which allows the panel to stand upright without support.

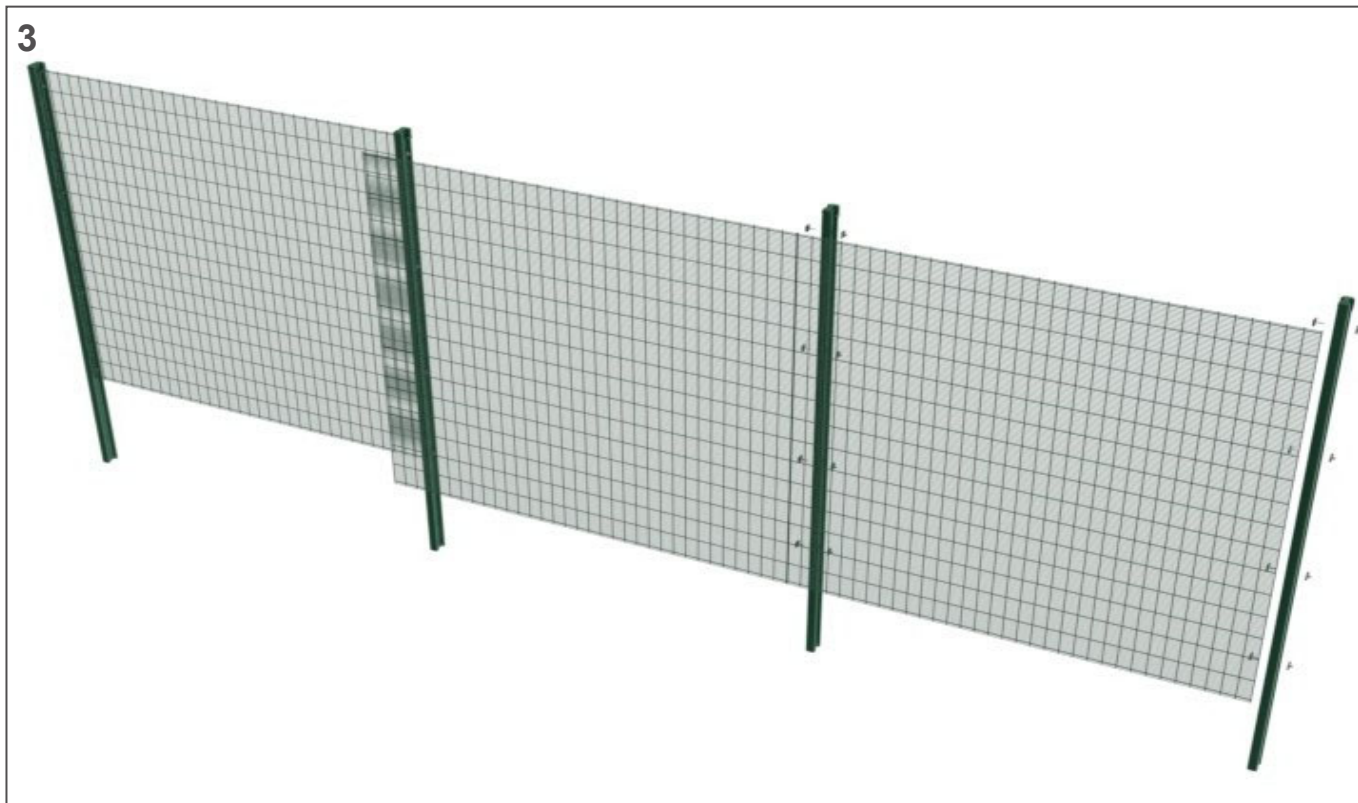


2. Installation of the fencing systems

2. Installation of posts & panels

Installation principle: Bekafix Ultra posts are installed according to the 'post-panel-post' system

- Fix a second panel to the second post with spider fixators in the correct positions. Now it's possible to remove the temporary fixators on top and bottom.
- Repeat the steps above for the entire fence



2. Installation of the fencing systems

2. Installation of posts & panels

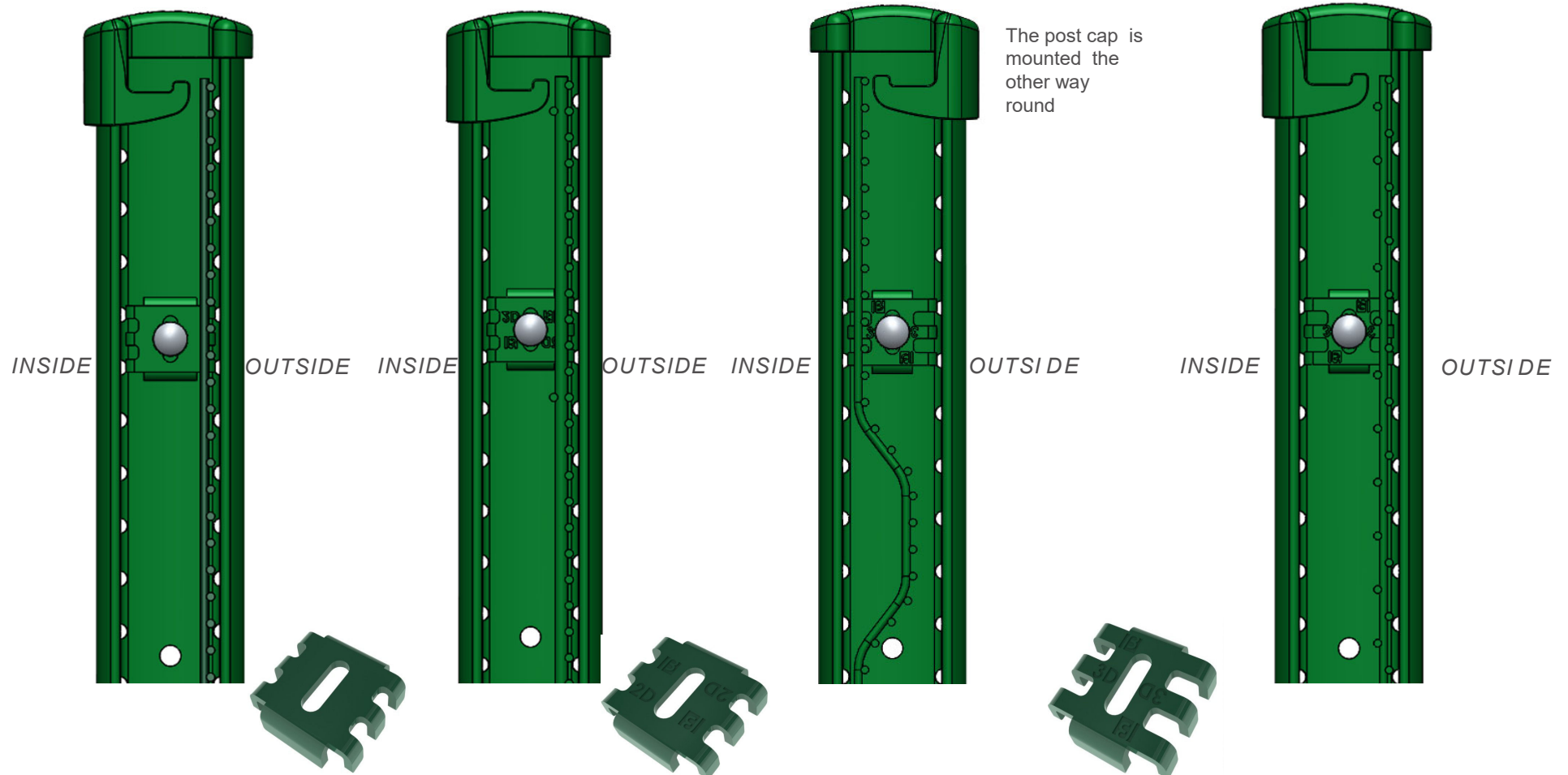
Detail of the 4 different systems:

Securifor®

Securifor® 2D

Securifor® 3D

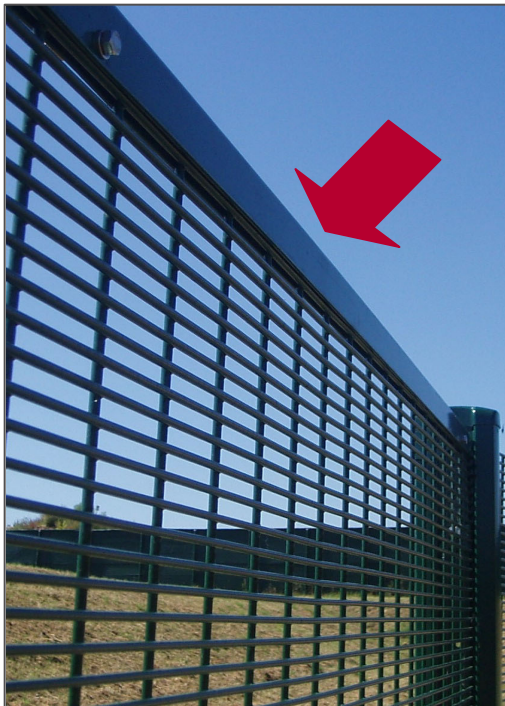
Securifor® 4D



2. Installation of the fencing systems

3. Installation U-Profile

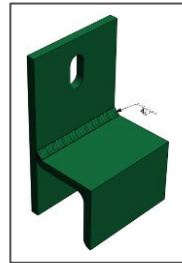
- For the installation of flat Securifor & Securifor 3D, regardless of the way of installation, a U-profile on top is required. For extra security, a bottom fixation can be added. (see next slide for solutions of fixation at the bottom)
- For the installation of Securifor 2D& Securifor 4D panels no bottom fixation or U-profile on top is required, unless for security reasons.



2. Installation of the fencing systems

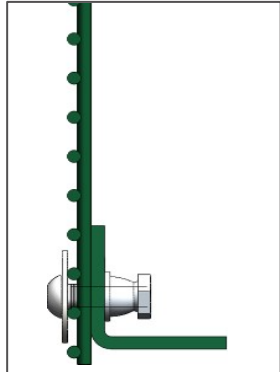
4. Optionally bottom fixations

To get a higher rigidity of the panel, it is advised to also add a fixation at the bottom. There are 3 possible ways:



1. A short H-profile that's sliding over a concrete plate* and can be fixed to the Securifor panel. (fixed with bolt M8x25 DIN603, washer and self-breaking nut M8)

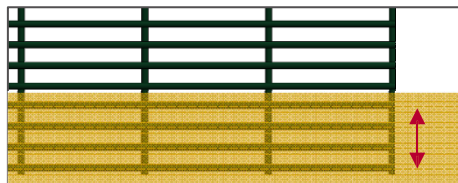
*thickness concrete plate 40mm



2. An L-profile that's fixed to the bottom of the panel. For extra security, this profile can also be fixed to a concrete foundation.

When installing on a wall, a bottom fixation of the panel to the wall is necessary.

(fixed with bolts M8x25 DIN7380, large washer M8x30x1.5 at the front, washer and self-breaking nut M8 at the back)



3. An alternative can be to put the 3 bottom horizontal wires of the Securifor panel into the concrete or soil

2. Installation of the fencing systems

5. Number of spider fixators per post

Panel height	Post length	# fixators intermediate/corner post	# fixators end post
2m	2575mm	14	7
2,4m	2475*/3175mm	16	8
3m	3775mm	20	10
4m	4775mm	26	13

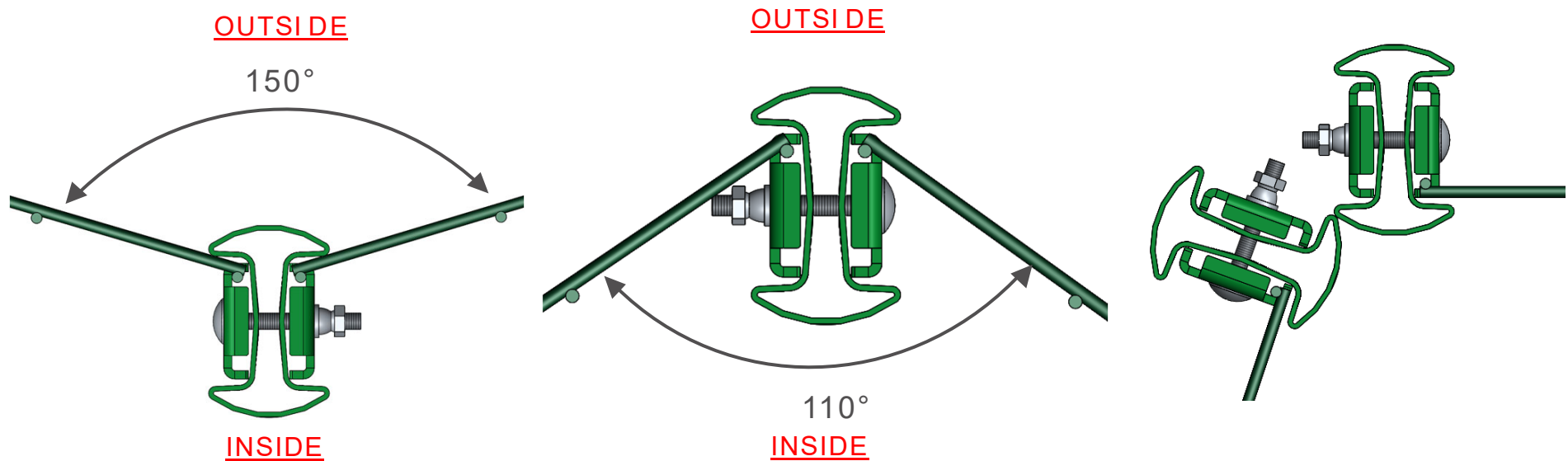
* Post for installation on footplate

2. Installation of the fencing systems

6. Making corners

The corner posts are placed on the line with the bisector of the right or obtuse angle to be made. For an acute angle the post with the panel making the acute angle is placed into the same foundation hole as the last line post.

- Inner corners possible between 150° and 180°
- Outer corners possible between 110° and 180°
- For all other corners, use two posts



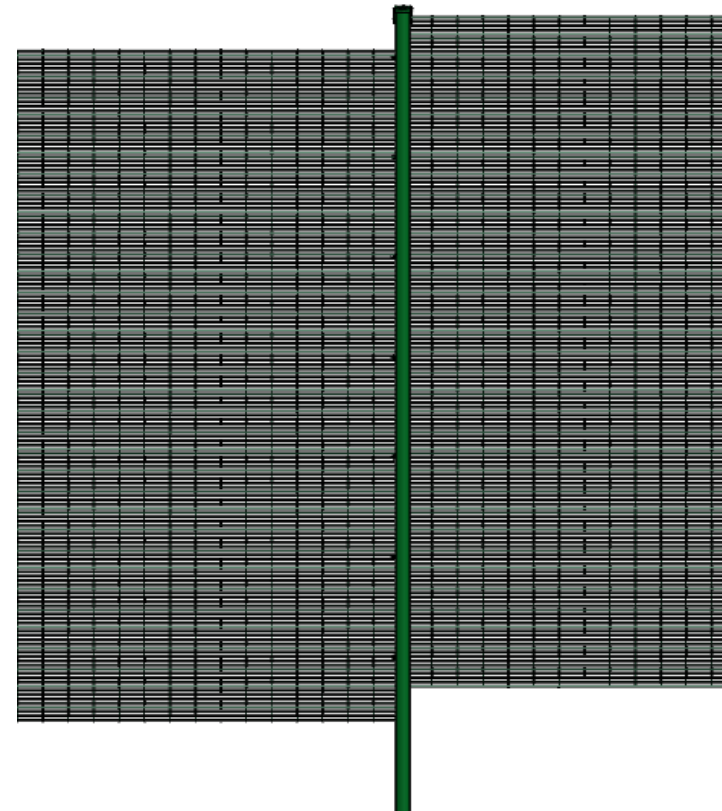
2. Installation of the fencing systems

7. Installation on slopes

INSTALLATION ON SLOPES

When building a fence on a slope using the Bekafix Ultra post it is best to start at the highest point of the site

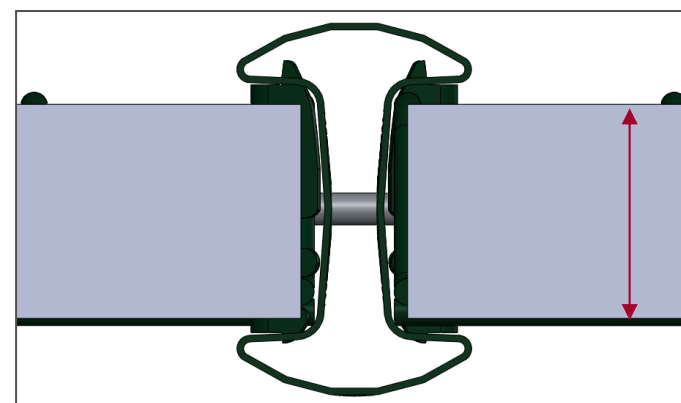
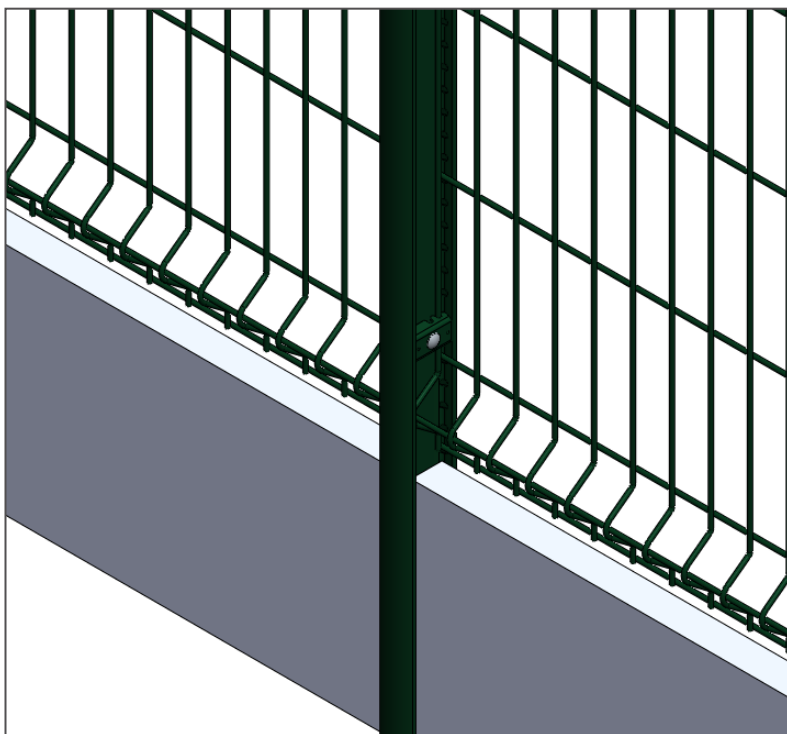
Where the site slopes, the next panel should just be placed lower according to need. Is to possible to make step per multiplicate of 12,7mm.



2. Installation of the fencing systems

8. Installation with concrete slabs

A concrete slab can be placed in the middle of the Bekafix Ultra post. The same installation principle applies: post – panel – concrete slab – post – panel – concrete slab ...

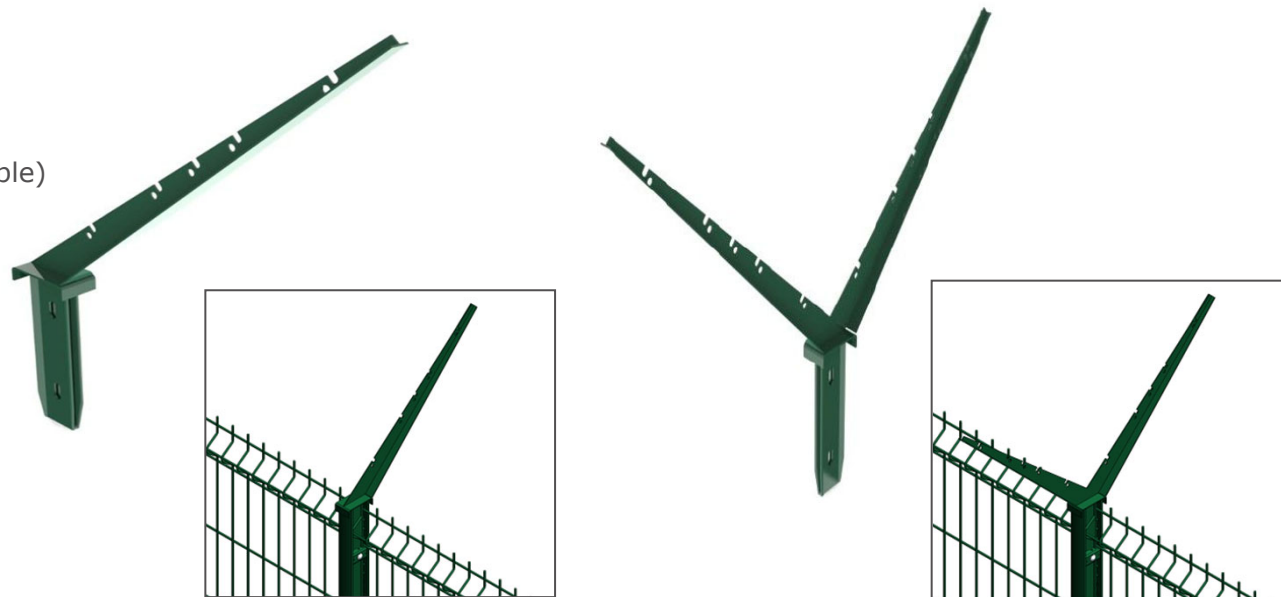


**width 4cm –
height 30cm**

3. Options

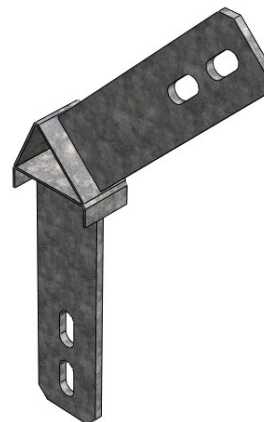
SLANTING SUPPORT (single or double)

- For extra security
- To attach Concertina or barb wire



CONNECTOR

- For extra security
 - To connect square post with slanting support
 - Maximum loading of this piece is 50 kg!
- * In case of special requirements, it's advised to contact a project engineer for strength calculations.



IB BETAFENCE
a PRÆSIDIAD brand